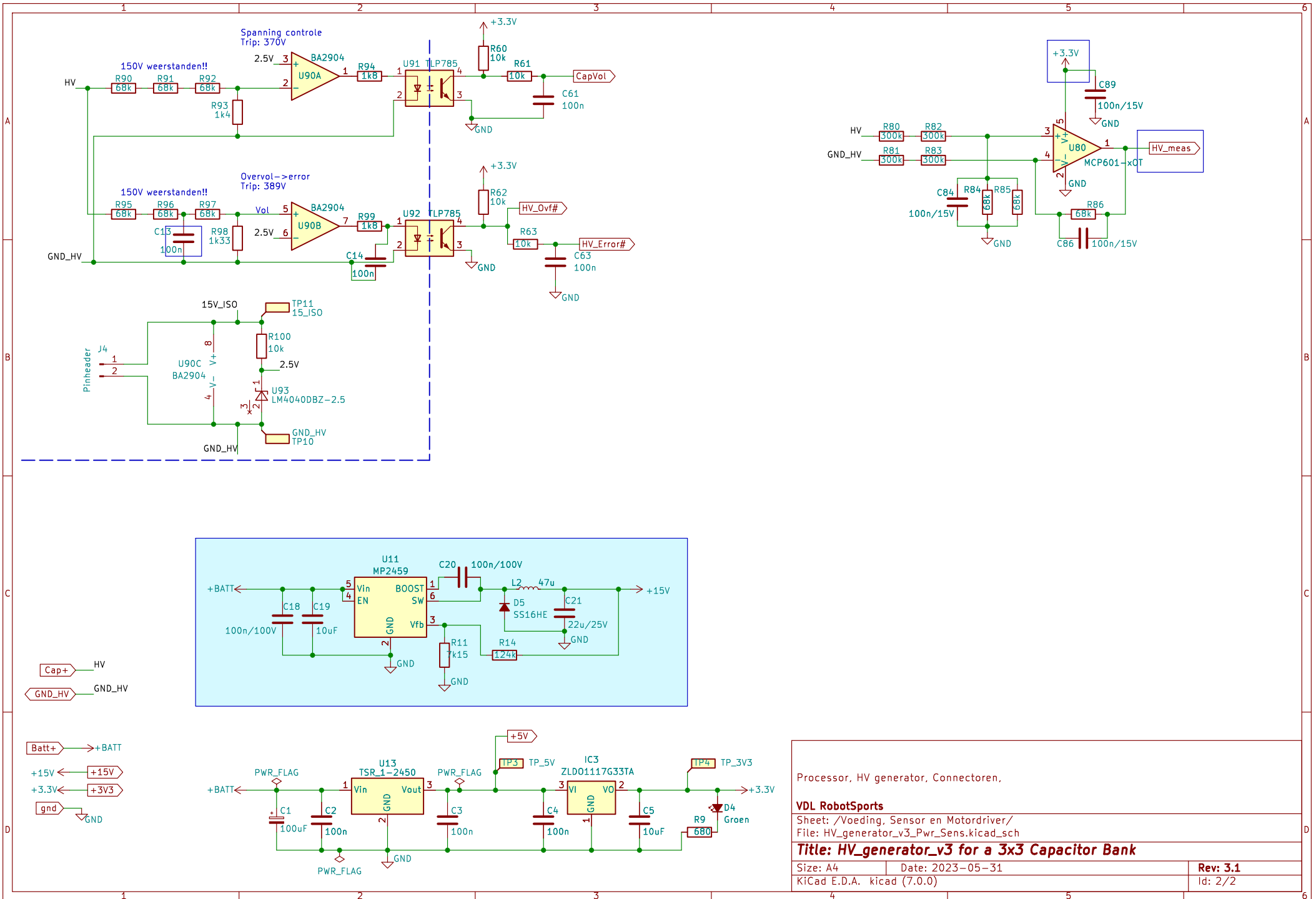


FID1	FID2	FID3	FID4	TP6	TP_Batt
Fiducial	Fiducial	Fiducial	Fiducial	TP1	TP_gnd
H1	Processor, HV generator, Connectoren,				
H2	VDL RobotSports				
H3	Sheet: /				
H4	File: HV_generator_3V1.kicad_sch				
<b>Title: HV_generator_v3 for a 3x3 Capacitor Bank</b>					
Size: A4	Date: 2023-05-31			Rev: 3.1	
KiCad E.D.A. kicad (7.0.0)			Id: 1/2		

Voeding, Sensor en Motordriver

File: HV\_generator\_v3\_Pwr\_Sens.kicad\_sch



Processor, HV generator, Connectoren,		
VDL RobotSports		
Sheet: /Voeding, Sensor en Motordriver/ File: HV_generator_v3_Pwr_Sens.kicad_sch		
<b>Title: HV_generator_v3 for a 3x3 Capacitor Bank</b>		
Size: A4	Date: 2023-05-31	Rev: 3.1
KiCad E.D.A. kicad (7.0.0)		Id: 2/2