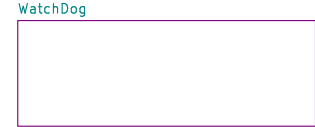
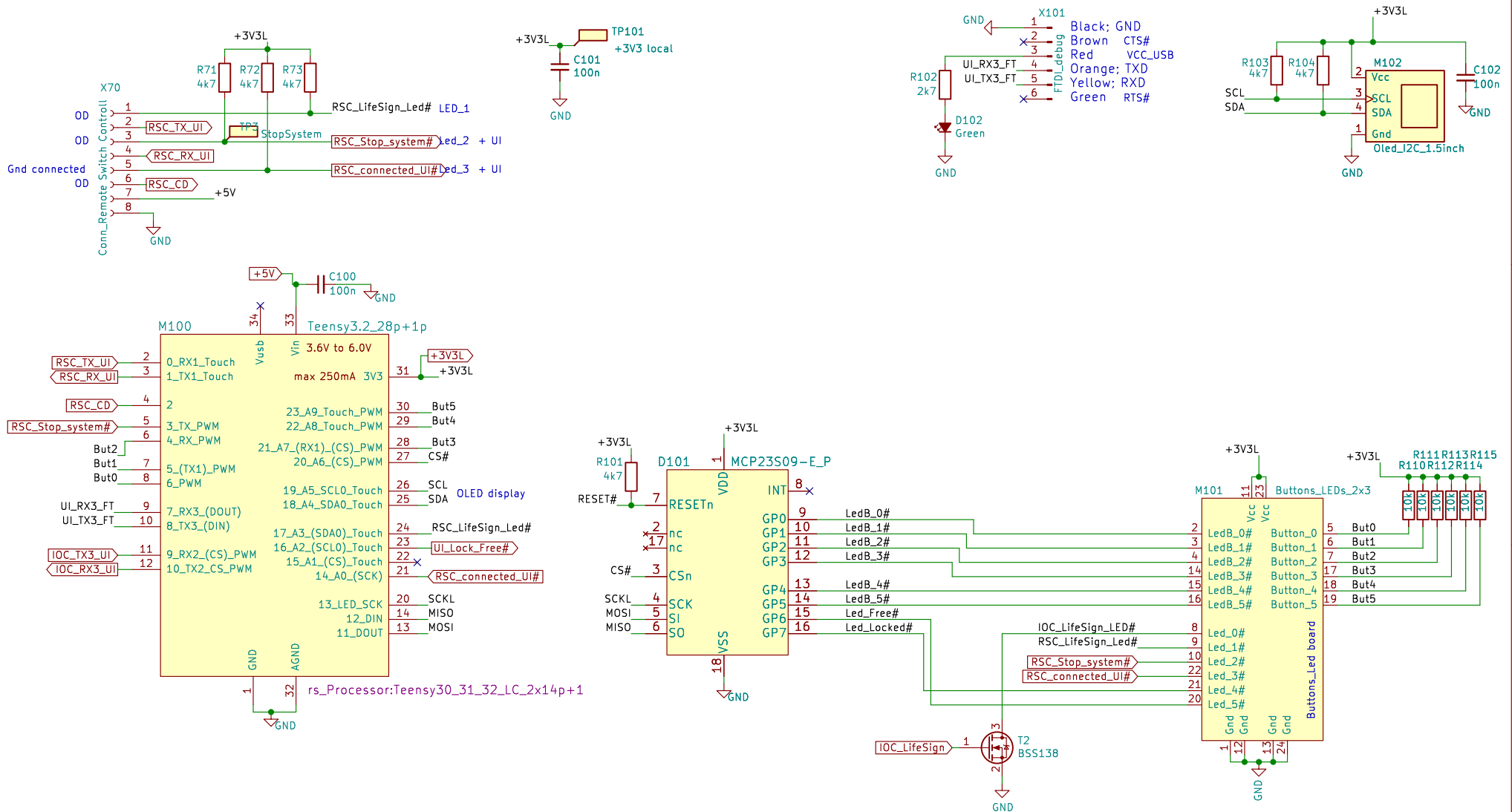


- H5 MountingHole
- H4 MountingHole
- H3 MountingHole
- H2 MountingHole
- H1 MountingHole_Pad



IOC : I/O Controller	
Henk van Gijn	
RobotSports	
Sheet: /	
File: IO_Controller_v3.kicad_sch	
Title: IO_Controller v3	
Size: A4	Date: 2023-03-23
KiCad E.D.A. kicad (7.0.0)	Rev: 0.8
	Id: 1/3



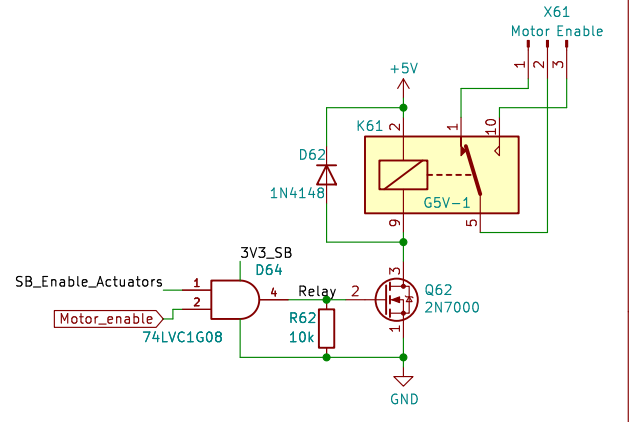
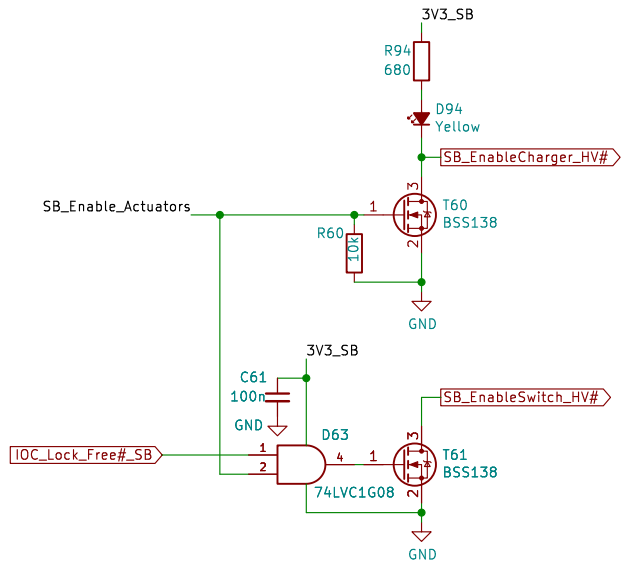
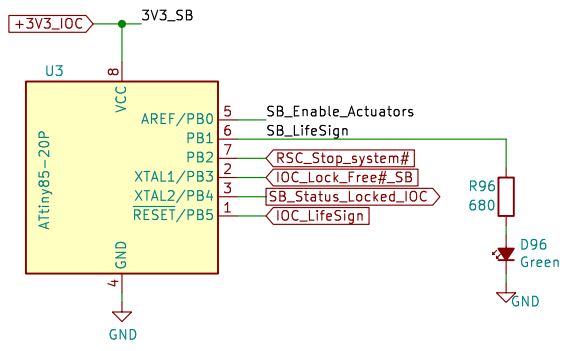
UI User Interface

Henk van Gijn
RobotSports

Sheet: /User_Interface/
 File: UserInterface_v3.kicad_sch

Title: User Interface met Teensy 3,2

Size: A4	Date: 2023-03-23	Rev: 3.0
KiCad E.D.A. kicad (7.0.0)		Id: 2/3



RobotSports	
Henk van Gijn	
RobotSports	
Sheet: /WatchDog/	
File: WatchDog.kicad_sch	
Title: IO_Controller_Teensy v3	
Size: A4	Date: 2023-03-23
KiCad E.D.A. kicad (7.0.0)	Rev: 3.0
	Id: 3/3